

Shorts

Level: Pre-K, K, 1, 2

Category: Clothes Activity Book

Topics: Clothes, Seasonson, Encouragment, Test Day

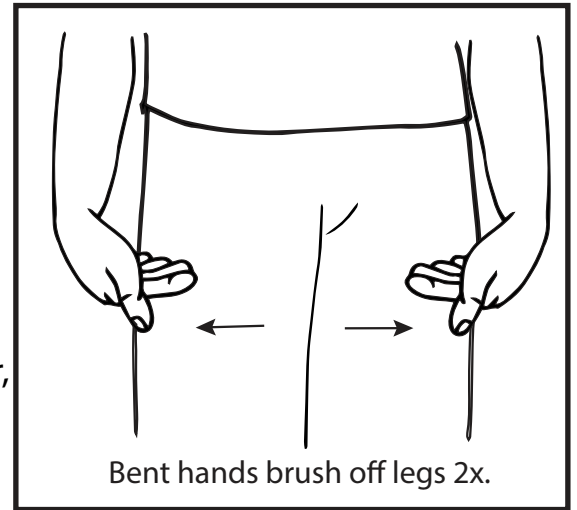
Materials: coloring utensils, scissors, yarn, hole puncher, glue, smarties candy

Color and design your shorts. Cut out. Punch holes on the dots. Sew together with yarn.

Craft: Draw shorts and cut out. Glue on a roll of smarties (candy) tape on the sentence below (in the box).

Game: Relay putting on shorts.

Idea: Show pictures of how the styles of shorts have changed over the years.

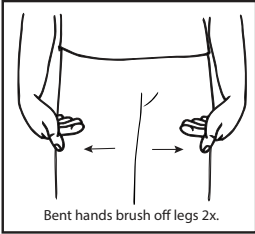


Example

Shorts

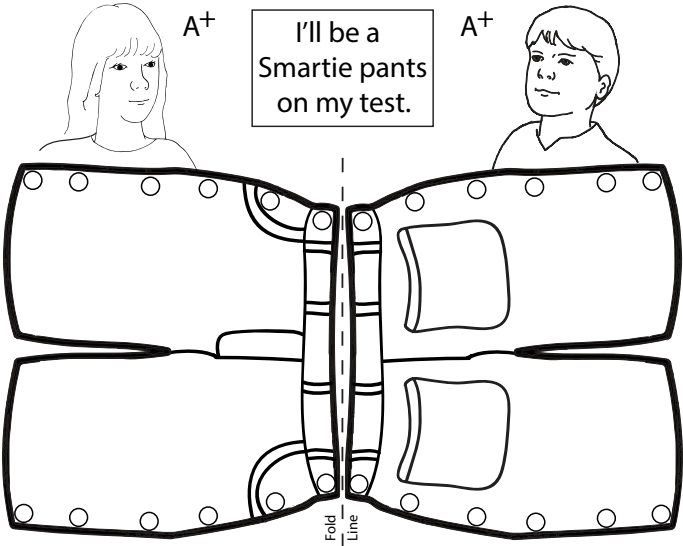
Name _____ Date _____

Color and design your shorts. Cut out. Punch holes on the dots. Sew together with yarn.



Bent hands brush off legs 2x.

A+ I'll be a Smartie pants on my test. A+



Fold Line

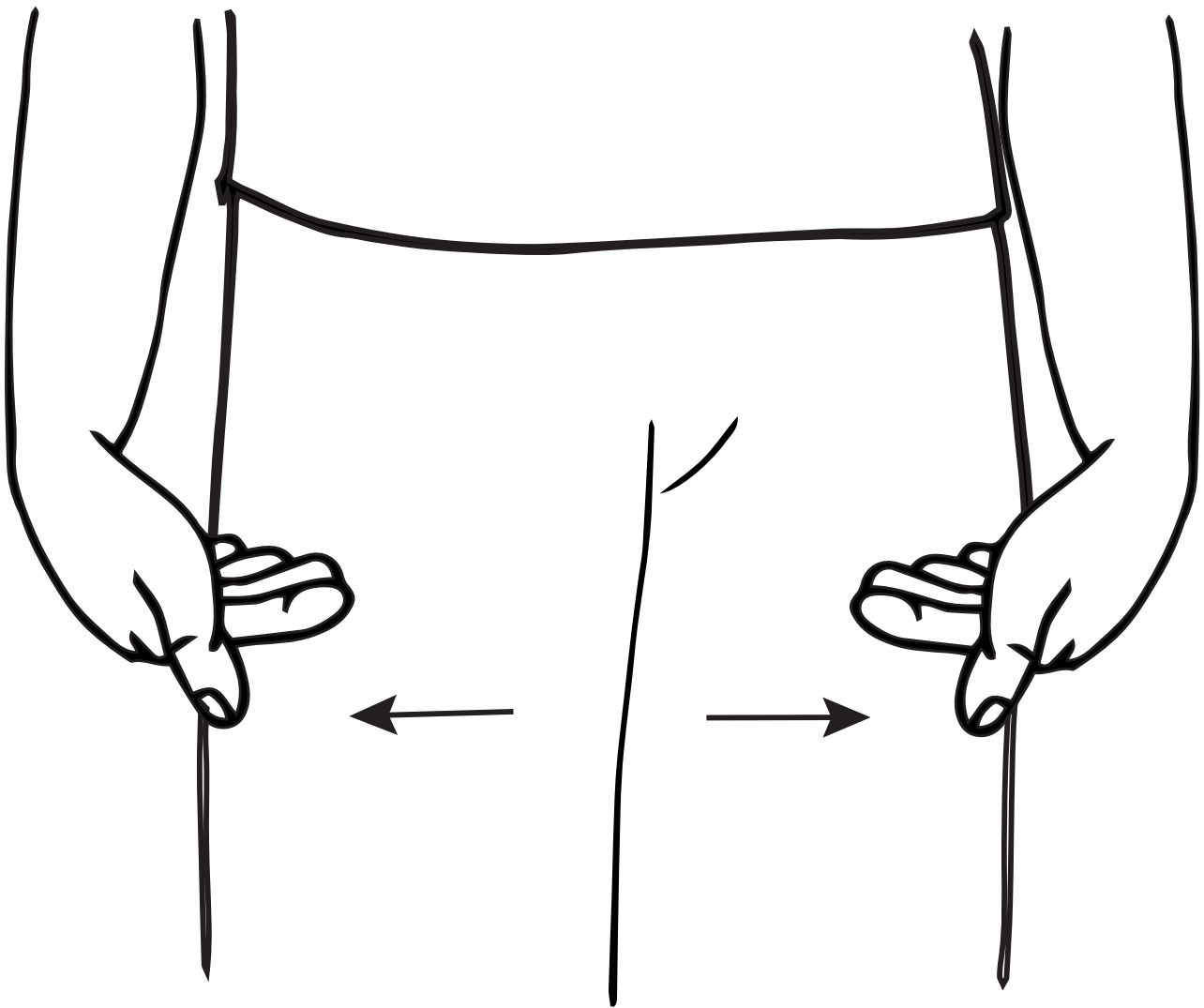
www.SignBabySign.org®

Click image for video.

HOW TO SIGN
SHORTS

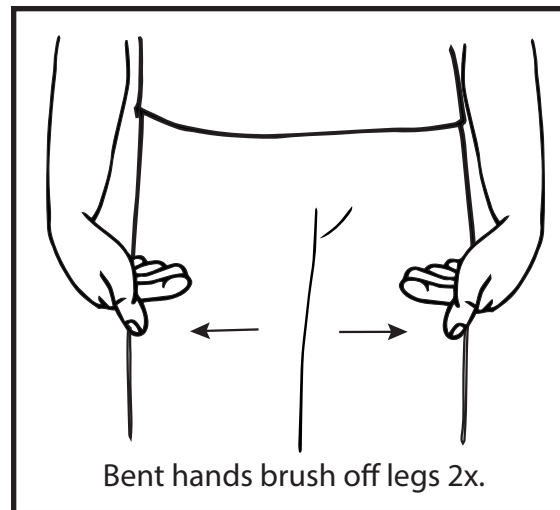


Shorts



Bent hands brush off legs 2x.

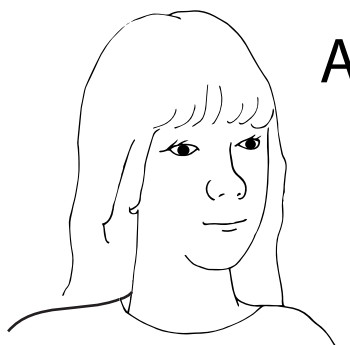
Shorts



Name _____

Date _____

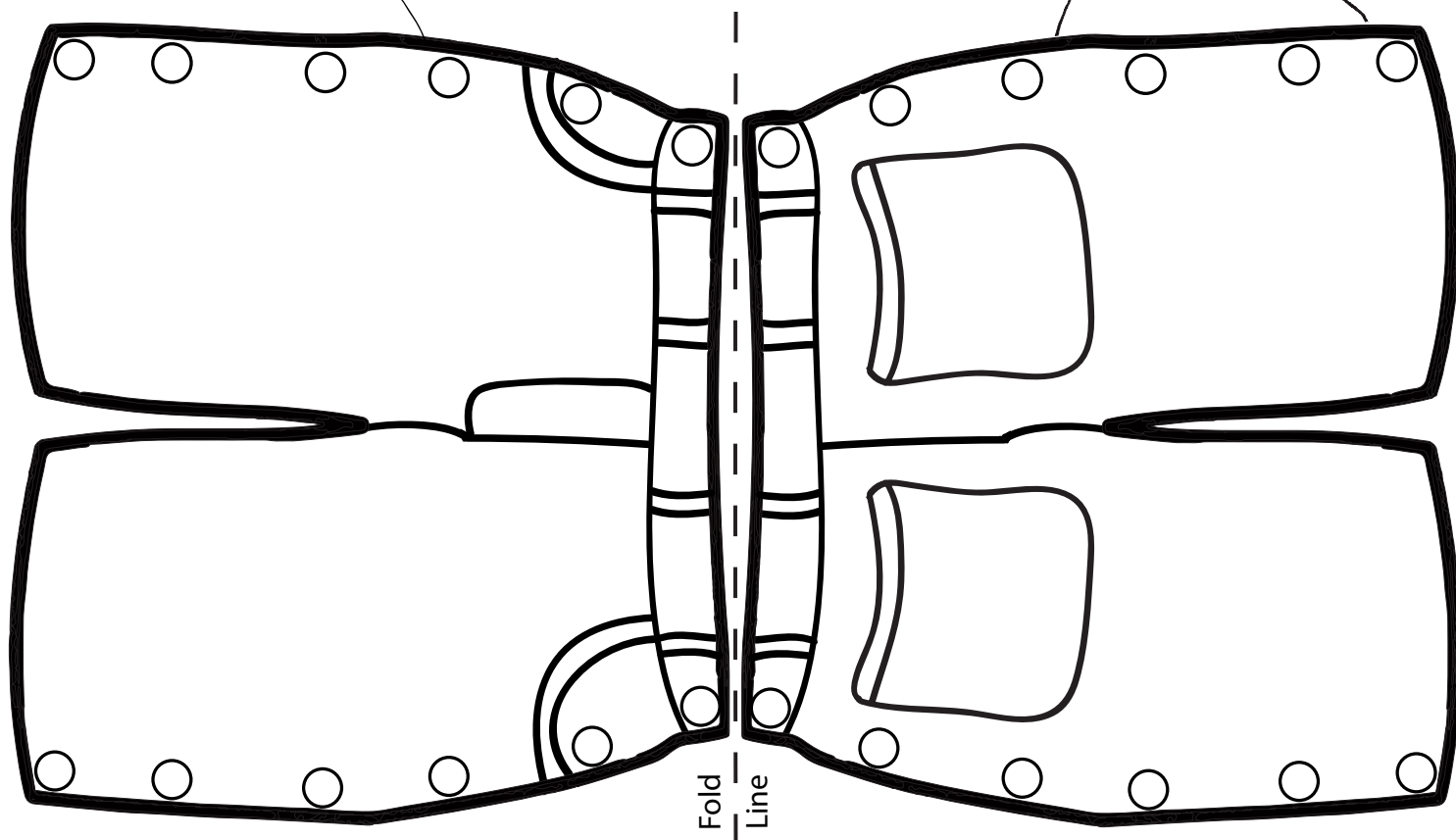
Color and design your shorts. Cut out. Punch holes on the dots. Sew together with yarn.



A⁺

I'll be a
Smartie pants
on my test.

A⁺



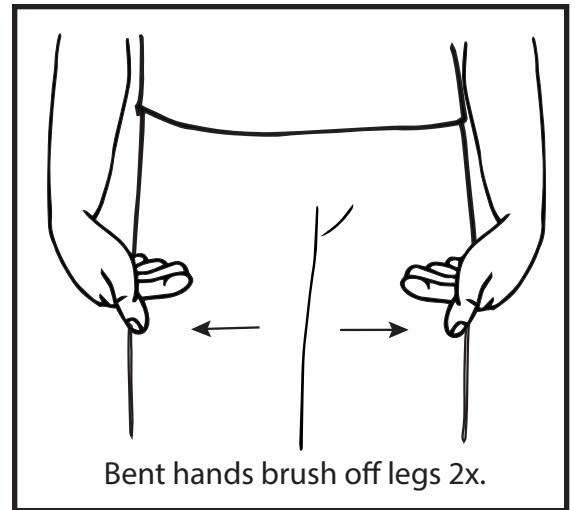
Shorts

Color and design your shorts. Cut out. Punch holes on the dots. Sew together with yarn.

Craft: Draw shorts and cut out. Glue on a roll of smarties (candy) tape on the sentence below (in the box).

Game: Relay putting on shorts.

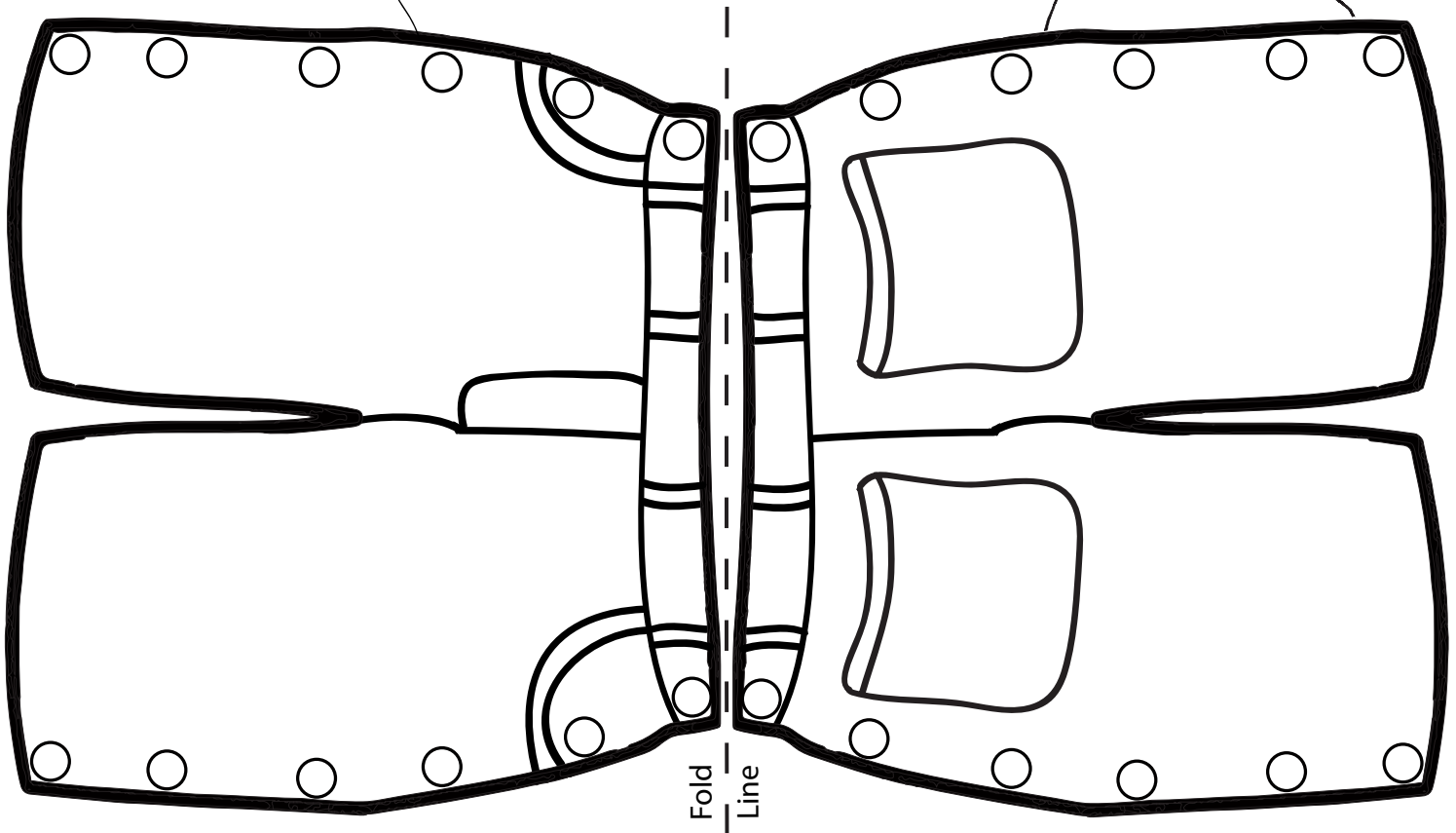
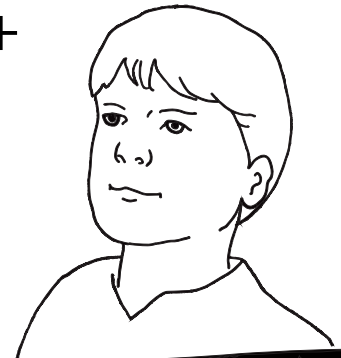
Idea: Show pictures of how the styles of shorts have changed over the years.



A⁺

I'll be a
Smartie pants
on my test.

A⁺



Child's Name

www.signbabysign.org

Date word was signed

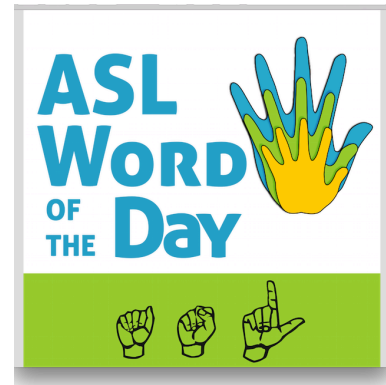
©SignBabySign All rights reserved

Other ASL products: (American Sign Language)

- ✓ Free “Word of the Week”
- ✓ Free Activity sheets
- ✓ Teacher ASL Lesson Plans
- ✓ Free online Dictionary
- ✓ Free Hospital resources
- ✓ Flash Cards-printable
- ✓ Dice Games-printable
- ✓ ASL Book Series
- ✓ Memberships
- ✓ Bookmarks: ABC, 1-10
- ✓ Embroidered Hand Towels
- ✓ Family Car Decals
- ✓ “I Love You” Iron-on Patches
- ✓ Printable: T-shirts, Crafts, Cards
- ✓ Everything is ASL!

Subscribe @

- www.YouTube.com/SignBabySign
- www.Twitter.com/SignBabySign2me
- www.Pinterest.com/SignBabySign
- www.Vimeo.com/SignBabySign
- www.FaceBook/SignBabySign
- iTunes Podcast: ASL Word of the Day



A note from the author:

I love sign language! I believe in the many benefits it has to offer. You must too since you bought this book. Let's get started one word at a time. This book series is designed with the tools you need for a successful learning experience that is both educational and fun.



Cynthia F Long, Founder

I'd love to hear from you. We want to highlight your child any chance we can. Send us feedback (on our contact page), ideas, and upload a photo or video of your child/class learning new signs @

<http://www.signbabysign.org/contact-us.php>